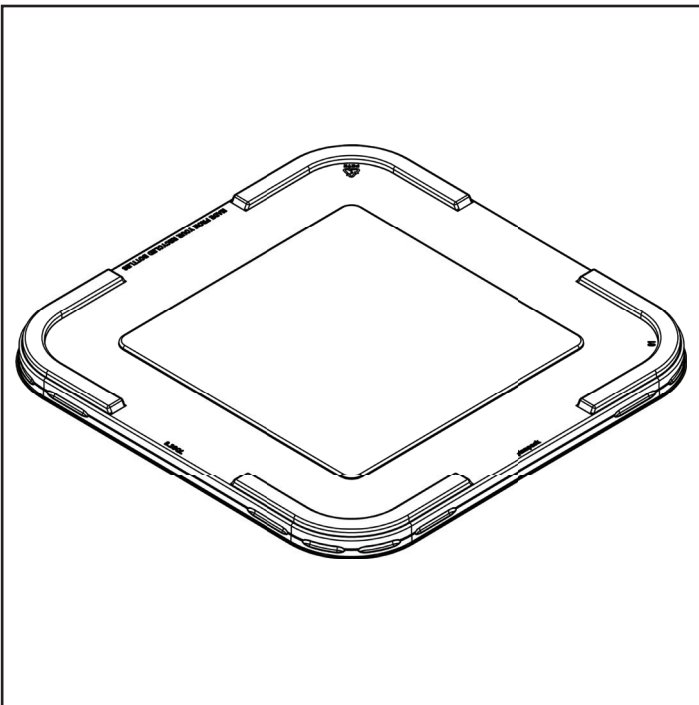
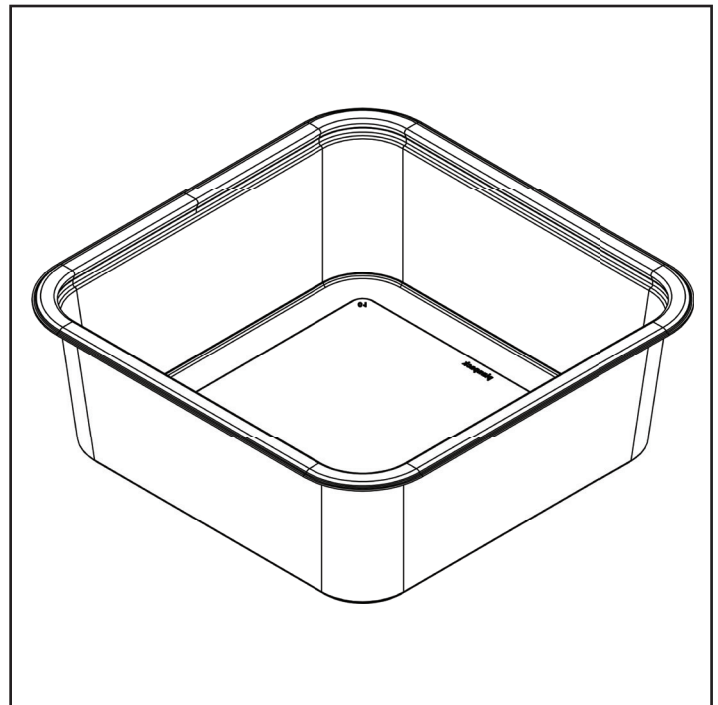


# PRODUCT INFO SHEET

9.2SQ-L & 9.2SQC-95



**9.2SQ-L**



**9.2SQC-95**

PRODUCT NUMBER	DESCRIPTION	DIMENSIONS	CASE PACK	CASE WEIGHT	CASES/PALLET
9.2SQ-L	9" Square Lid	9.29" x 9.29" x 0.51"	500	36	20
9.2SQC-95	9" Square 95oz. Tub	9.19" x 9.19" x 3.16"	260	36	20